

Cat. No. 0203 Series L.E.D. 25° Angled Docking Light

The above lights are not designed for navigational use and are not for use below the waterline.

MOUNTING INFORMATION

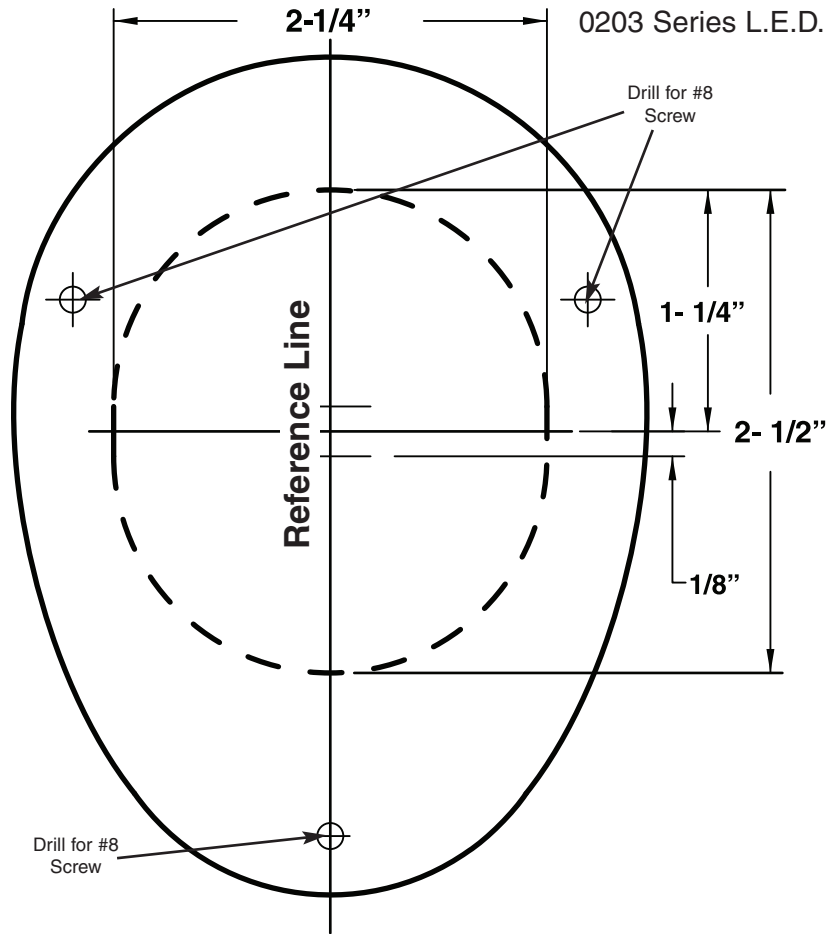
Read all instructions before proceeding.

- 1). These instructions show the orientation of the light after the proper location has been determined.
- 2). These lights are supplied with the proper circuit for operation on a nominal 12 volt system.
- 3). These lights contain no user serviceable components.
- 4). Draw a 6 inch long reference line through the center of the selected mounting location.
- 5). Cut out the mounting template to the right. Tape it on the mounting surface such that the reference line (drawn above) passes through the exact center of the template.
- 6). Drill three holes through the template as indicated for the #8 mounting screws.
- 7). Drill a pilot hole inside the area to be cut out. Using a jig saw, cut out the 2-1/4" x 2-1/2" hole to accommodate the body as indicated by the dotted line. Alternatively, drill a 2-1/4" round hole at a 25° angle to the surface.
- 8). Wiring should be done by a qualified marine electrician. Attach supply connections to the light, making sure to wire in accordance with both A.B.Y.C. Standard E-9* and U.S. Coast Guard Safety Standards for Boat Electrical Systems (33CFR 183)* Observe polarity.
- 9). Attach the light to the mounting surface using #8 mounting screws.

* The above referenced standards can be obtained from:

- (1). American Boat & Yacht Council, Inc.
613 Third Street, Suite 10
Annapolis, MD 21403
- (2). U.S. Coast Guard
Washington, D.C. 20593
(or your local C.G. office)

MOUNTING TEMPLATE #1



MOUNTING TEMPLATE #2

